

**MOREGO**

MG03-28BC-M  
**225-230**

- Distinctive Aesthetics
- High Performance
- Rapid Charging
- True Label



5-year Warranty for  
Materials and Processing



5-year Warranty for Extra  
Linear Power Output



**21.6%**  
MAX MODULE  
EFFICIENCY

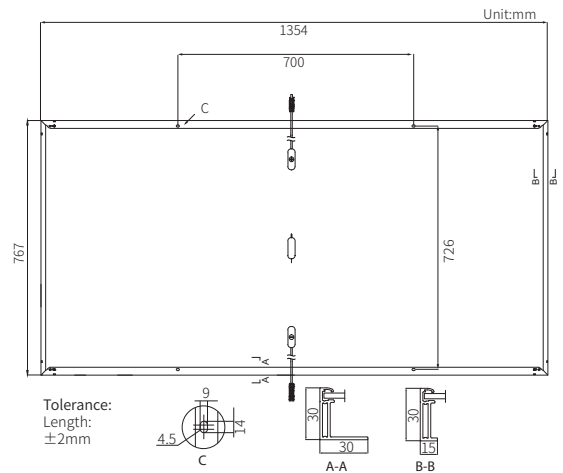
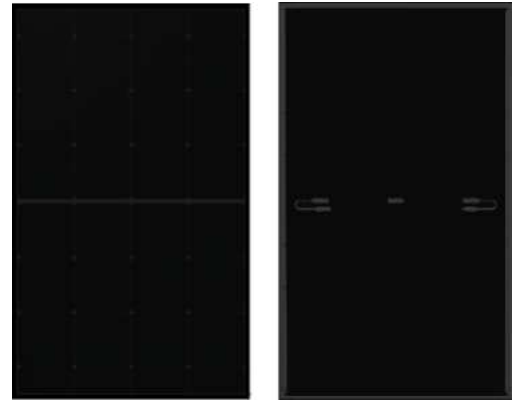
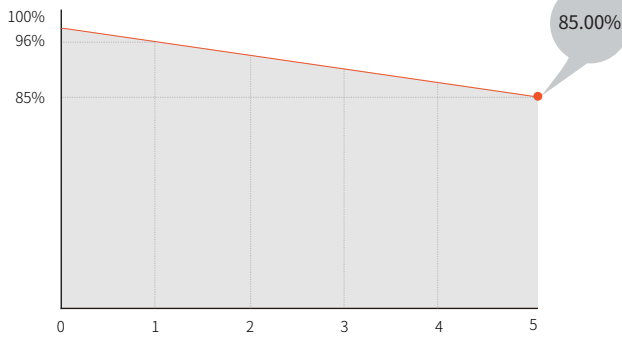
**0~3%**  
POWER  
TOLERANCE

**<4%**  
FIRST YEAR  
POWER DEGRADATION

**2.75%**  
YEAR 2-5  
POWER DEGRADATION

## Additional Value

### 5-Year Power Warranty



## Mechanical Parameters

Cell Orientation	56 (4×14)
Junction Box	IP68, split type
Output Cable	4mm <sup>2</sup> , ±1200mm length can be customized
Glass	Single glass, 3.2mm coated tempered glass
Frame	Anodized aluminum alloy frame
Weight	12.1kg
Dimension	1354×767×30mm
Packaging	80pcs per 3pallet / 1280pcs per 40' HC

## Electrical Characteristics

STC : AM1.5 1000W/m<sup>2</sup> 25°C

NOCT : AM1.5 800 W/m<sup>2</sup> 20°C 1m/s

Test uncertainty for Pmax: ±3%

Module Type	MG03-28BC-M225		MG03-28BC-M230	
	STC	NOCT	STC	NOCT
Maximum Power (Pmax/W)	225	168	230	171
Open Circuit Voltage (Voc/V)	20.50	19.24	20.75	19.38
Short Circuit Current (Isc/A)	14.10	11.39	14.18	11.44
Voltage at Maximum Power (Vmp/V)	17.24	15.73	17.45	15.86
Current at Maximum Power (Imp/A)	13.06	10.69	13.20	10.74
Module Efficiency(%)	21.60%		22.10%	

## Operating Parameters

Operational Temperature	-40°C ~ +85°C
Power Output Tolerance	0 ~ 3%
Maximum System Voltage	DC1000V (IEC/UL)
Maximum Series Fuse Rating	22A
Nominal Operating Cell Temperature	45±2°C
Protection Class	Class II
Fire Rating	UL Type 1 or 2 IEC Class C

## Temperature Ratings (STC)

Temperature Coefficient of Isc	+0.050%/°C
Temperature Coefficient of Voc	-0.230%/°C
Temperature Coefficient of Pmax	-0.280%/°C