

MOREGO

MG02-28BC-M
225-230

- Distinctive Aesthetics
- High Performance
- Rapid Charging
- True Label



5-year Warranty for
Materials and Processing



5-year Warranty for Extra
Linear Power Output



21.6%
MAX MODULE
EFFICIENCY

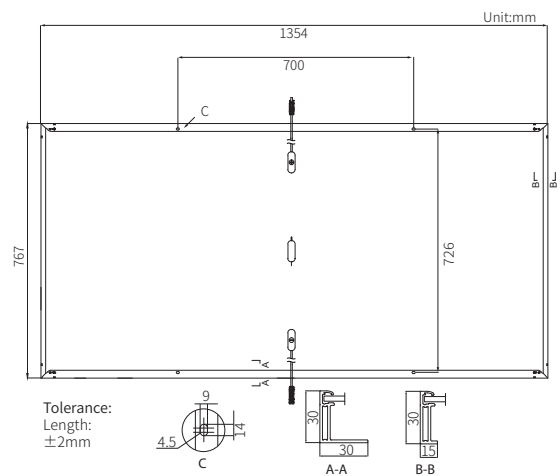
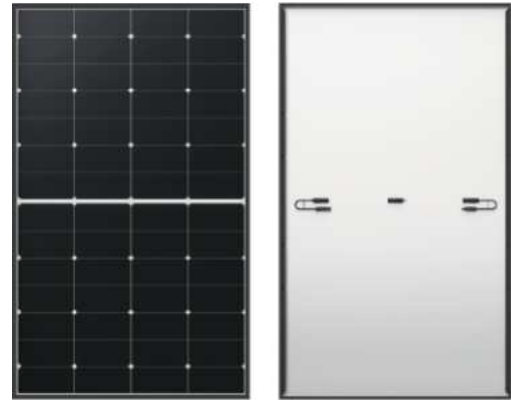
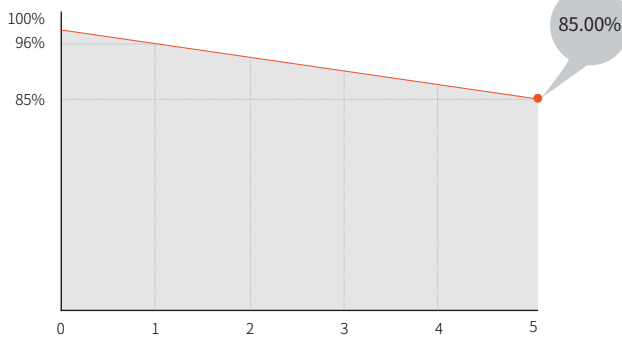
0~3%
POWER
TOLERANCE

<4%
FIRST YEAR
POWER DEGRADATION

2.75%
YEAR 2-5
POWER DEGRADATION

Additional Value

5-Year Power Warranty



Mechanical Parameters

Cell Orientation	56 (4×14)
Junction Box	IP68, split type
Output Cable	4mm ² , ±1200mm length can be customized
Glass	Single glass, 3.2mm coated tempered glass
Frame	Anodized aluminum alloy frame
Weight	12.1kg
Dimension	1354×767×30mm
Packaging	80pcs per 3pallet / 1280pcs per 40' HC

Electrical Characteristics

STC : AM1.5 1000W/m² 25°C

NOCT : AM1.5 800 W/m² 20°C 1m/s

Test uncertainty for Pmax: ±3%

Module Type	MG02-28BC-M225		MG02-28BC-M230	
	STC	NOCT	STC	NOCT
Maximum Power (Pmax/W)	225	168	230	171
Open Circuit Voltage (Voc/V)	20.50	19.24	20.75	19.38
Short Circuit Current (Isc/A)	14.10	11.39	14.18	11.44
Voltage at Maximum Power (Vmp/V)	17.24	15.73	17.45	15.86
Current at Maximum Power (Imp/A)	13.06	10.69	13.20	10.74
Module Efficiency(%)	21.60%		22.10%	

Operating Parameters

Operational Temperature	-40°C ~ +85°C
Power Output Tolerance	0 ~ 3%
Maximum System Voltage	DC1000V (IEC/UL)
Maximum Series Fuse Rating	22A
Nominal Operating Cell Temperature	45±2°C
Protection Class	Class II
Fire Rating	UL Type 1 or 2 IEC Class C

Temperature Ratings (STC)

Temperature Coefficient of Isc	+0.050%/°C
Temperature Coefficient of Voc	-0.230%/°C
Temperature Coefficient of Pmax	-0.280%/°C